

12

11

10

9

8

7

6

5

4

3

2

1

H

H

G

G

F

F

E

E

D

D

C

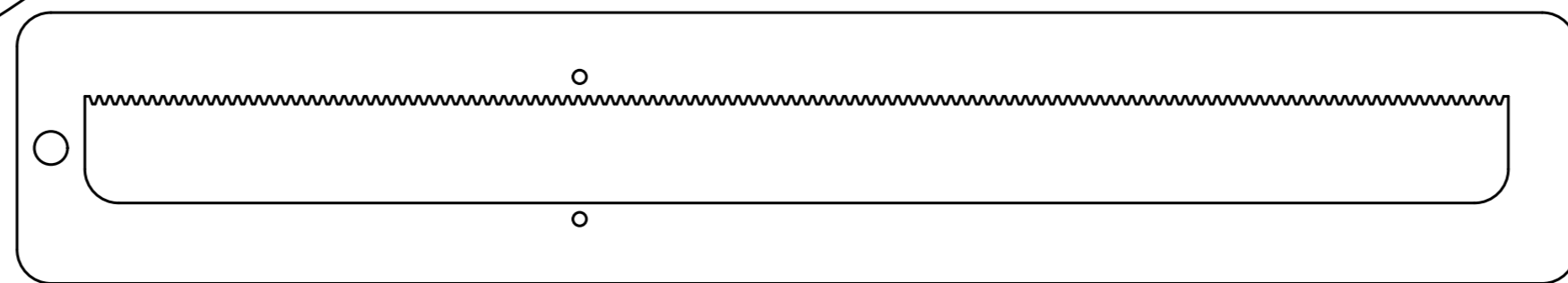
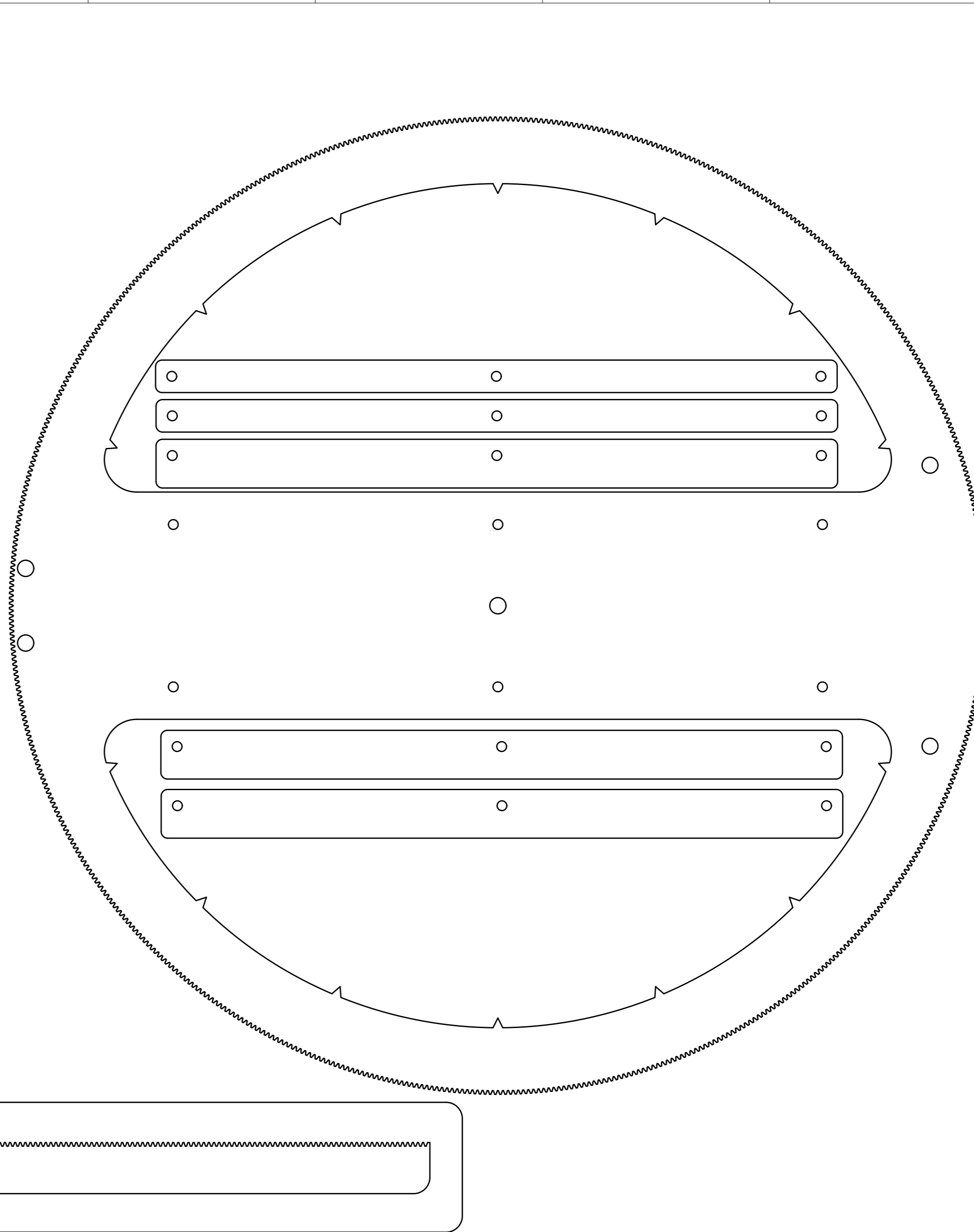
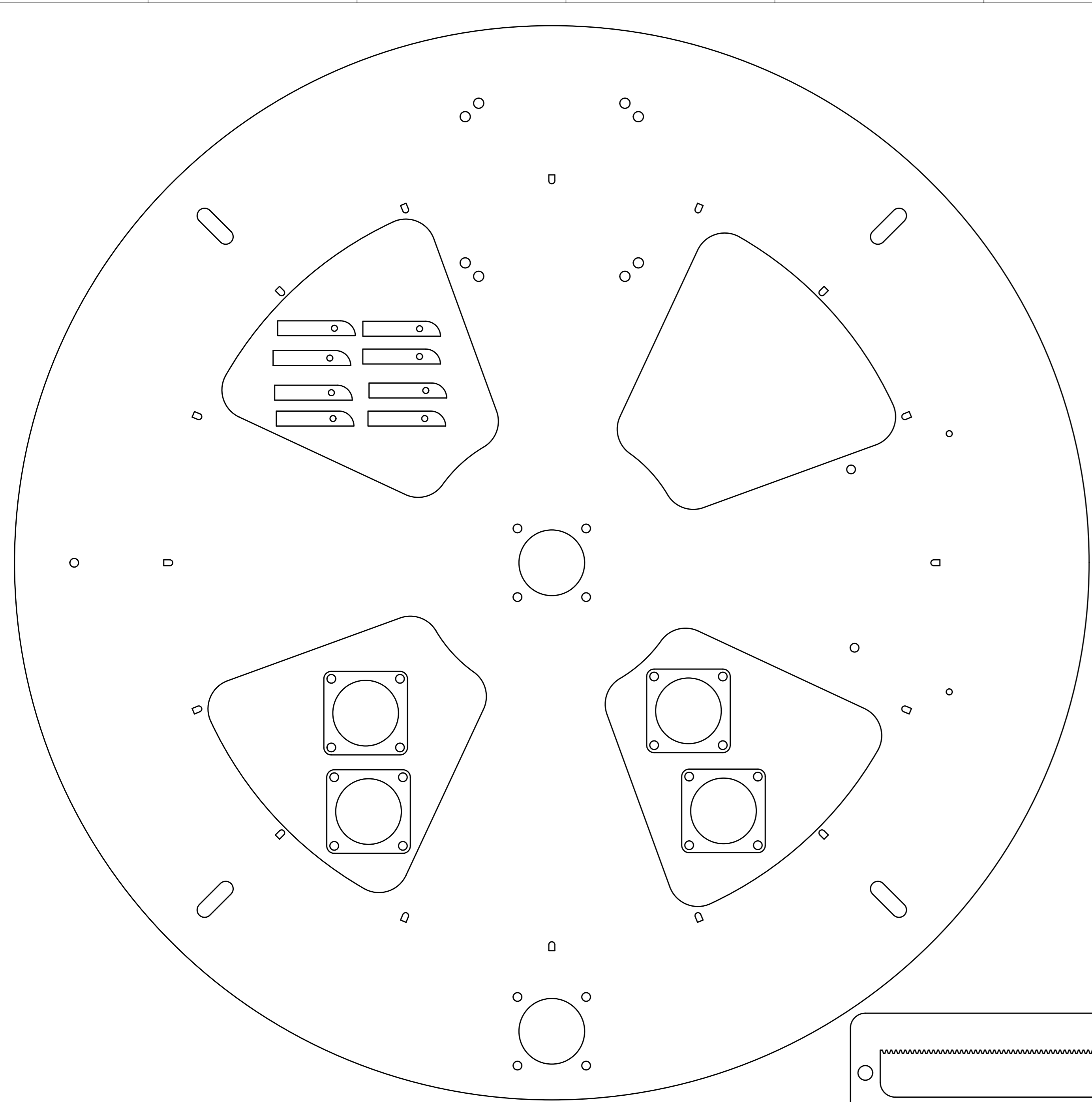
C

B

B

A

A



UNLESS OTHERWISE SPECIFIED, DIMENSIONS ARE IN MILLIMETERS ANGULAR ± 1° SURFACE FINISH ✓ DO NOT SCALE DRAWING BREAK ALL SHARP EDGES AND REMOVE BURRS FIRST ANGLE PROJECTION	DRAWN	NAME	SIGNATURE	DATE	TITLE Sandtrails Generation 3, April 2020 Parts to be laser cut
	CHECKED	BARICMAN		2020/04/23	
	APPROVED				
	MATERIAL	FINISH		SIZE	REV.
	MDF: 5mm			A1	
	SCALE	1:1	WEIGHT	SHEET	1 of 2

12

11

10

9

8

7

6

5

4

3

2

1

12

11

10

9

8

7

6

5

4

3

2

1

H

H

G

G

F

F

E

E

D

D

C

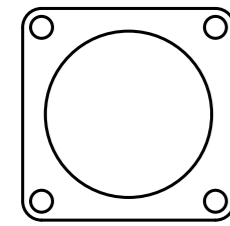
C

B

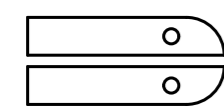
B

A

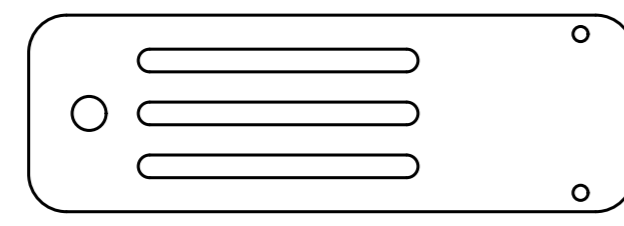
A



MDF
10mm



MDF
9 - 10 mm



PMMA
2mm